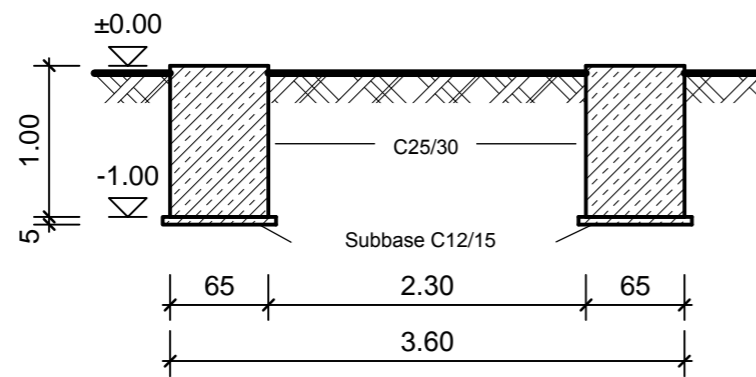
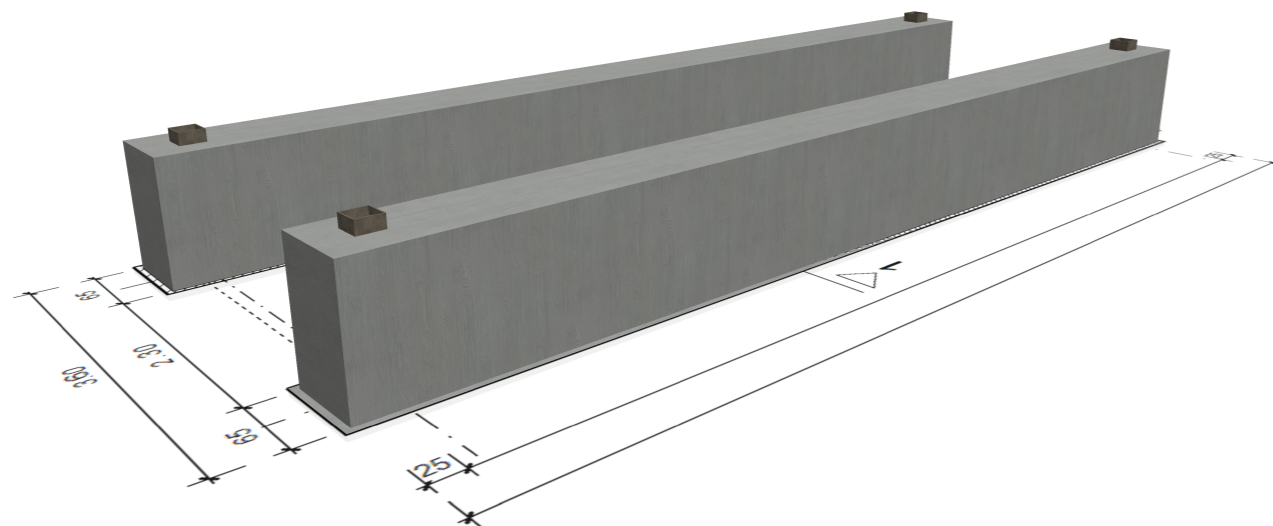


Topview Foundation



Selection 1 - 1



Visualization of shell construction

INDEX	CHANGES	DATE	DRAWN
bi.s bauingenieur.schneider		DIPL.-ING. FRANK SCHNEIDER An der Baumschule 10 * 37327 Leinefelde-Worbis Tel.: +49 (0) 3605 503522 Fax: +49 (0) 3605 503523	
Builder	Cold Storage Solutions U230 Kenneth Dr. Welch Lakeville MA US 02347		
Building project	Foundation CHP-Container U230 Kenneth Dr. Welch Lakeville MA US 02347		
Plan content	Shell construction		
	Date	Name	Index
drawn	22.05.2017	Frank Schneider	
changed	22.05.2017	Frank Schneider	
Size	Scale	Projectnumber	Plannumber
DIN A3	1:50	02117	501